

Saramonic

Sound.Remarkable. 🎧

Dual-capsule Cardioid Condenser Microphone 心形双向电容式麦克风

Vmic Mini Pro

User Manual
用户手册



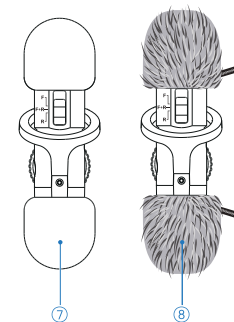
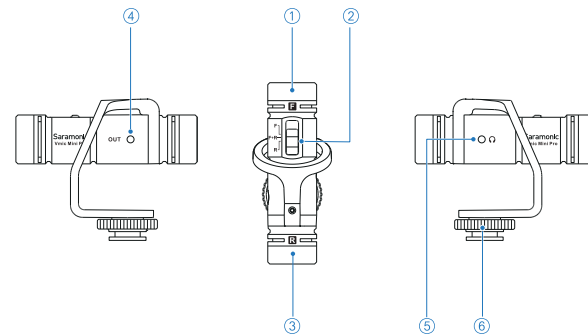
Introduction

The Vmic Mini Pro is a dual-capsule cardioid condenser microphone, capturing high-quality sound from both front and rear sides. With a 3.5mm output jack and the supplied cables, it is compatible with smartphones and cameras. It features a 3.5mm headphone jack, which enables playback monitoring. The Vmic Mini Pro provides a great audio solution for two-person recording, vlogging, mobile journalism and much more.

Features

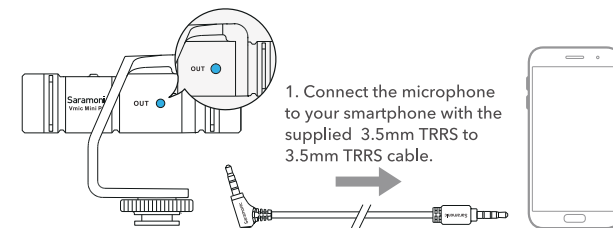
Dual-capsule cardioid condenser microphone
Compatible with camera and smartphone
Ideal for two-person recording, vlogging, mobile journalism, etc
Deliver high-quality and intelligible sound
F/F+R/R modes designed for varied demands
3.5mm headphone jack for playback monitoring
Integrated shock mount & cold shoe mount
Rugged aluminum alloy construction

Product Structure



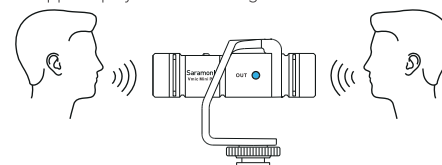
- ① Front microphone capsule
- ② Front/F+R/Rear switch
- ③ Rear microphone capsule
- ④ 3.5mm output jack
Use the supplied cable to connect the Vmic Mini Pro to your camera or smartphone
- ⑤ 3.5mm headphone output jack
Connect a headphone for playback monitoring
- ⑥ Integrated cold shoe mount
- ⑦ Foam windscreen
- ⑧ Fur windshield

Operation Guide



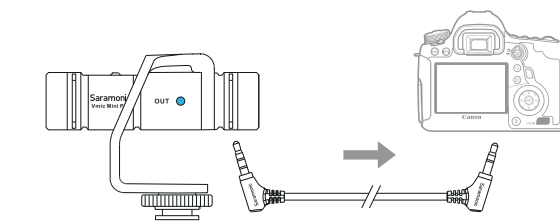
2. Set the F/F+R/R switch according to your needs.
F(Front): Only the front microphone works.
F+R(Front & Rear): Both the front and the rear microphones work.
R(Rear): Only the rear microphone works.

3. Open the audio or video recording app and start recording
4. Connect a headphone to monitor the audio if necessary.
The headphone jack supports playback monitoring.



Attach the microphone to a camera

1. Mount the Vmic Mini Pro on the camera via the cold shoe mount.
2. Connect the microphone to the camera with the supplied 3.5mm TRRS to 3.5mm TRS cable.



3. Set the F/F+R/R switch according to your needs.
4. You are ready to record.

Specifications

Acoustic Principle	Condenser
Polar Pattern	Cardioid
Frequency Response	45Hz-18kHz
Sensitivity	Front mic: -32+/-3dB (0dB=1V/Pa, at 1kHz) Rear mic: -44+/-3dB (0dB=1V/Pa, at 1kHz)
Signal to Noise Ratio	78dB SPL
Audio Output Connector	3.5mm headphone jack 3.5mm TRRS output jack
Dimensions	91×24.5mm
Weight	Approx. 75g



For better recording experience, the application **SmartRecorder** is recommended.
为获得更好的录制体验, 推荐使用枫笛 Saramonic 自主研发应用软件 **SmartRecorder**。



Scan the QR code and follow us!
扫描微信关注枫笛公众号!

Shenzhen Jiayz Photo Industrial, Ltd
深圳市长丰影像器材有限公司

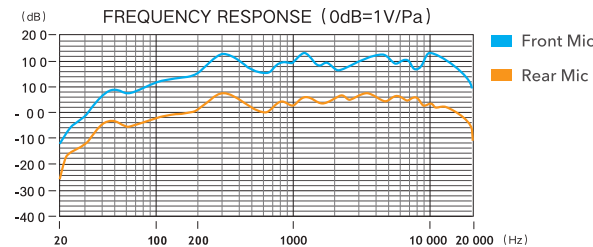
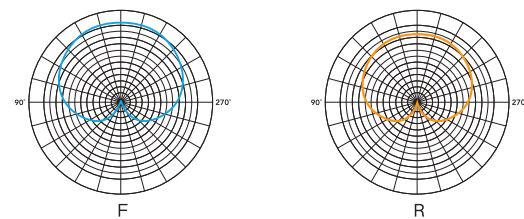
A16 Building, Intelligent Terminal Industrial Park of Silicon Valley
Power, Guanlan, Longhua District, Shenzhen, China
深圳市龙华区观澜街道大富工业区硅谷动力智能终端产业园A16栋

☎ 400-613-1096 🌐 www.saramonic.com ✉ info@saramonic.com

Packing List

Vmic Mini Pro Microphone×1
3.5mm TRRS to 3.5mm TRS Cable for Camera×1
3.5mm TRRS to 3.5mm TRRS Cable for Smartphone×1
Foam Windscreen×2
Fur Windshield×2
Carrying Case×1

Polar Pattern



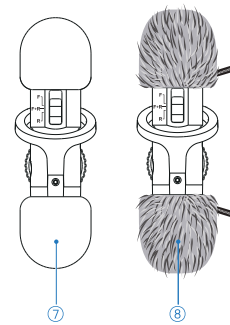
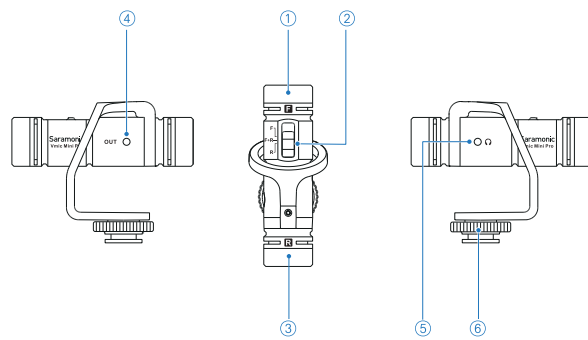
产品介绍

Vmic Mini Pro是一款心形双向电容式麦克风，双咪头设计，可清晰捕捉前后方声音，适用于双人录音、视频录制、移动新闻等场景。Vmic Mini Pro可通过随附的音频线接入手机或相机使用；3.5mm耳机输出孔监听功能，允许用户在手机模式下监控音频录制情况，确保音频的完整性。

概述

心形双向电容式麦克风
兼容相机和手机
双人录音、视频录制、移动新闻等的理想选择
收录高品质、清晰的声音
F/F+R/R三种模式自由切换，适用多种场景
3.5mm耳机插孔，支持回放监听
集成式防震支架和标准冷靴座
坚固耐用铝合金结构

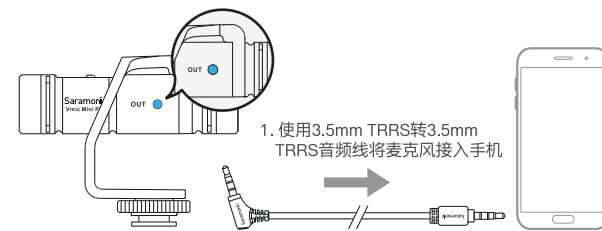
产品结构



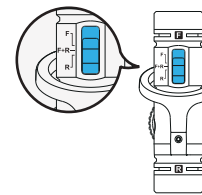
- ① 前置麦克风
- ② 前单声道/混音模式/后单声道切换键
- ③ 后置麦克风
- ④ 3.5mm音频输出孔
使用配备的音频线将产品连接到相机或手机
- ⑤ 3.5mm耳机监听孔
插入耳机进行音频回放监听
- ⑥ 冷靴座
- ⑦ 防风海绵
- ⑧ 防风毛套

操作指南

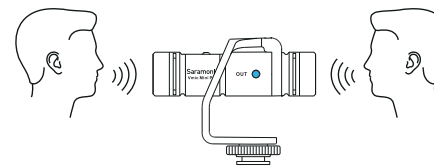
将麦克风连接至手机上(带3.5mm插孔)



2. 根据实际需要设置F/F+R/R模式切换键
拨至F模式，只有F面麦克风工作；
拨至R模式，只有R面麦克风工作；
拨至F+R模式，F、R面麦克风同时工作。

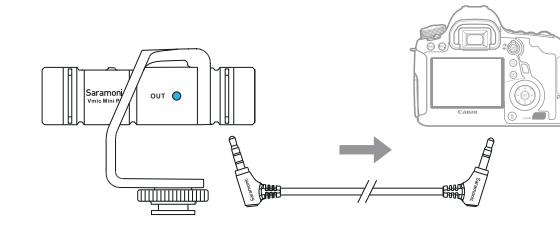


3. 打开音频/视频录制APP并开始录制
4. 耳机接入麦克风监听孔
支持回放监听



将麦克风连接至相机上

1. 通过底部的冷靴座，将Vmic Mini Pro安装到相机上
2. 使用3.5mm TRRS转3.5mm TRS音频线将麦克风连接至相机



3. 根据实际需要设置F/F+R/R模式切换键
4. 开始录音

参数

声学原理	电容麦克风
拾音模式	心形
频率响应	45Hz-18kHz
灵敏度	前置麦克风: -32+/-3dB (0dB=1V/Pa, at 1kHz) 后置麦克风: -44+/-3dB (0dB=1V/Pa, at 1kHz)
信噪比	78dB SPL
音频输出孔	3.5mm耳机插孔 3.5mmTRRS输出孔
尺寸	91 × 24.5mm
重量	约75g

包装清单

Vmic Mini Pro麦克风 × 1
3.5mm TRRS转3.5mm TRS相机转接线 × 1
3.5mm TRRS转3.5mm TRRS手机转接线 × 1
防风海绵 × 2
防风毛套 × 2
拉链包 × 1

极性模式

