

Saramonic®

Sound.Remarkable. 

Ultracompact 2.4GHz Dual-Channel
Wireless Microphone System

2.4GHz 迷你双通道无线麦克风系统

Blink500

User Manual

用户手册

General Introduction

The Saramonic Blink500 is an incredibly lightweight, ultracompact and easy-to-use 2-person wireless microphone system for DSLR, Mirrorless and Video cameras, or mobile devices that delivers detailed, broadcast-quality sound.

The system series is comprised of three different receivers. The RX receiver has a 3.5mm output and includes TRS and TRRS output cables, allowing it to work with any device with a 3.5mm audio input. The RXDi receiver has a MFi Certified Lightning output and is designed for Apple iOS devices. And the RXUC receiver has a USB-C output and is designed for devices with a USB-C port, including Android smartphones and tablets.

The clip-on transmitter has a great sounding built-in mic and it is small and light enough to clip to shirts and clothing, or you can use it as a traditional beltpack transmitter with the included SR-M1 professional lavalier microphone.

No technical knowledge of audio is required to operate. The Blink500 system operates on the interference-free 2.4GHz spectrum and automatically hops to free channels to avoid static noise and audio dropouts.



For the better experience, it is recommended to download SmartRecorder APP from the App Store or others.

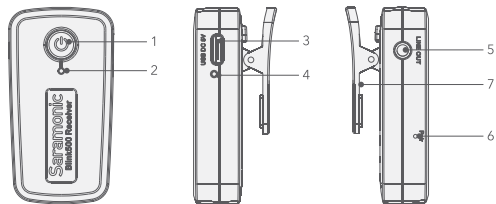
There are six kits available in the Blink500 series:

Model	In the box
Blink500 B1(TX+RX)	1×Blink500 RX 1×Blink500 TX
Blink500 B2(TX+TX+RX)	1×Blink500 RX 2×Blink500 TX
Blink500 B3(TX+RXDi)	1×Blink500 RXDi 1×Blink500 TX
Blink500 B4(TX+TX+RXDi)	1×Blink500 RXDi 2×Blink500 TX
Blink500 B5(TX+RXUC)	1×Blink500 RXUC 1×Blink500 TX
Blink500 B6(TX+TX+RXUC)	1×Blink500 RXUC 2×Blink500 TX

Note: *If using an Android phone, please set the “OTG Connection” to “ON.” The OTG connection menu is usually in the “Additional Settings” in your phone setting menu.*

Product Structure

1. Blink500 RX: Clip-On and Shoe-Mountable Receiver



① Power Key

Long press to turn on or off the receiver.

② Power and Pairing Indicator

Power Functions:

Solid Red Light = Low Battery

Pairing Functions:

Flashing Blue Light (every one second) = Unpaired

Quick Flashing Blue Light (every 0.5 second) = Waiting for Pairing

Solid Blue Light = Paired Successfully

Once the receiver and transmitter are paired, they will be connected with each other automatically, even when powered off and on.

③ USB Type-C Charging Port

④ Charge Indicator

Solid Green Light = Charging Battery

Light turns off when fully charged.

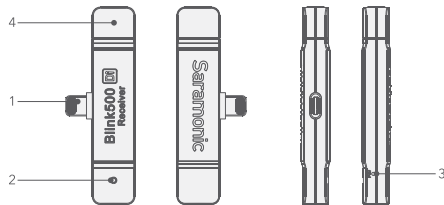
⑤ Line Out

Connect the receiver to a DSLR or Mirrorless camera, camcorder, smartphone, tablet, mixer or amplifier with the supplied output cables.

⑥ Pairing Pin-Hole

⑦ Belt Clip and Standard Cold Shoe Mount

2. Blink500 RXDi: Lightning Receiver



① Lightning Connector

② Pairing Indicator

Flashing Blue Light (every one second) = Unpaired

Quick Flashing Blue Light (every 0.5 second) = Waiting for Pairing

Solid Blue Light = Paired Successfully

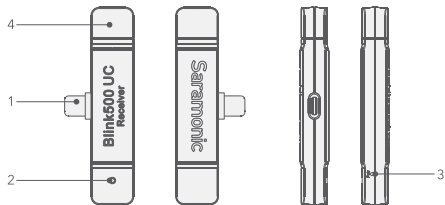
Once the receiver and transmitter are paired, they will be connected with each other automatically, even when powered off and on.

③ Pairing Pin-Hole

④ Antenna

In order to have better transmit signal, when connecting the receiver to your smartphone, make sure to antenna (the yellow part) is on the upside.

3. Blink500 RXUC: USB-C Receiver



① USB Type-C Connector

② Pairing Indicator

Flashing Blue Light (every one second) = Unpaired
Quick Flashing Blue Light (every 0.5 second) = Waiting for Pairing
Solid Blue Light = Paired Successfully

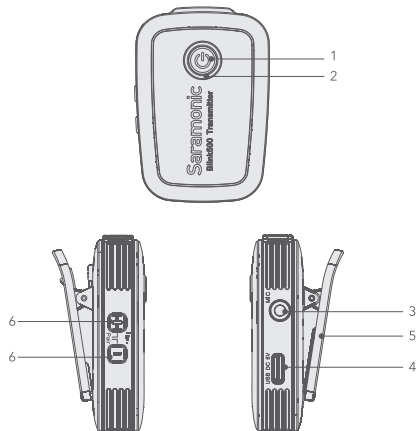
Once the receiver and transmitter are paired, they will be connected with each other automatically, even when powered off and on.

③ Pairing Pin-Hole

④ Antenna

Once the receiver and transmitter are paired, they will be connected with each other automatically, even when powered off and on.

4. Blink500 TX: Body-pack Transmitter with Microphone



① Power Key

Long press to turn on or off the transmitter.

② Power Indicator, Volume Indicator and Pairing Indicator

Power Functions:

Solid Red Light = Low Battery

When charging:

Solid Green Light = Charging Battery

Light turns off when fully charged.

Volume Functions:

Indicates the volume setting in six stages (5dB/stage).



Adjust the audio level by the "+" and "-" buttons.
Default is in the third stage.
The transmitter mic will be muted if you turn down the volume till all the lights are turned off.

Pairing Functions:



Flashing Blue Light (every one second) = Unpaired
Slow Flashing Blue Light (every three seconds) = Paired Successfully

- ③ 3.5mm Audio Input
Connect to the supplied lavalier microphone.
- ④ USB Type-C Charging Port
- ⑤ Belt Clip and Standard Cold Shoe Mount
- ⑥ Volume Control Buttons & Pair Buttons

Operation Guide

For the Blink500 B1/B2 kit

1. Turn on the transmitter TX by long pressing the power key.
2. Turn on the receiver RX by long pressing the power key.
3. Insert the pairing pin into the pairing pin-hole of RX, press hard and the pair indicator should be quick flashing at every 0.5s. Press both the "+" and "-" button of transmitter TX simultaneously within 10 seconds.
4. The kit will be paired when the RX pair indicator is solid blue and the TX pair indicator is flashing slowly.

Note: To pair the second transmitter TX, just repeat the step 3 and 4.

5. Connect the receiver RX to the mic jack of a camera, camcorder, recorder or mixer with the supplied 3.5mm TRS audio cable. Or connect the RX to a smartphone or tablet with the supplied 3.5mm TRS to TRRS audio cable.
6. You are ready to record.

Note: The output of receiver RX is line out. You can connect it to speaker system. To avoid noise during connection, before connecting the receiver to a speaker system, please mute the speaker system and do not use the headphones.

For the Blink500 B3/B4/B5/B6 kit

1. Turn on the transmitter by long pressing the power key.
2. Plug the RXDi into an iOS device or the RXUC into an USB Type-C device. Please make sure the antenna (yellow side) is oriented on the top of the device, when in landscape mode, to get the best signal.

3. Insert the pairing pin into the pairing pin-hole of RXDi or RXUC, press hard and the pair indicator should be quick flashing at every 0.5s. Press both the "+" and "-" button of transmitter TX simultaneously within 10 seconds.
4. The kit will be paired when the RX pair indicator is solid blue and the TX pair indicator is flash slowly.
Note: To pair the second transmitter TX, just repeat the step 3 and 4.
5. You are ready to record.

Specification

Blink500 RXUC	
Transmission Type	2.4GHz Digital Frequency
Modulation	GFSK
Operating Range	Up to 164' (50m)
Audio Output Connector	USB-C Connector
Power Requirements	Supplied by USB-C Devices
Antenna	PIFA Antenna
Weight	Approx. 10.5g (0.37oz)
Dimensions	76×16.5×11mm
Operating Temperature	0°C to 50°C
Storage Temperature	-20°C to +55°C

Blink500 RXDi	
Transmission Type	2.4GHz Digital Frequency
Modulation	GFSK
Operating Range	Up to 164' (50m)
Audio Output Connector	MFi Certified Lightning Connector
Power Requirement	Supplied by iOS Device
Antenna	PIFA Antenna
Weight	Approx. 11g (0.38oz)
Dimensions	76×16.5×11mm
Operating Temperature	0°C to 50°C
Storage Temperature	-20°C to +55°C

Blink500 RX	
Transmission Type	2.4GHz Digital Frequency
Modulation	GFSK
Operating Range	Up to 164' (50m)
Audio Output Connector	3.5 mm Jack
Audio Output level	-60dBV to -20dBV
Power Requirements	Built-in Li-ion Battery or USB-C DC 5V
Built-In Battery Life	Approx. 6 hours
Antenna	PIFA Antenna
Weight	Approx. 26.5g (0.93oz)
Dimensions	62×33×15.5mm
Operating Temperature	0°C to 50°C
Storage Temperature	-20°C to +55°C

Blink500 TX	
Transmission Type	2.4GHz Digital Frequency
Modulation	GFSK
Operating Range	Up to 164' (50m)
RF Output Power	10mW
Polar Pattern	Omnidirectional
Frequency Response	50Hz-18KHz
Maximum SPL	Built-in Microphone: 120dB SPL Lavalier Microphone: 110dB SPL
Sensitivity	Built-in Microphone: -42dB Lavalier Microphone: -30dB
SNR	> 78dB
Power Requirements	Built-in Li-ion Battery or USB-C DC 5V
Built-in Battery Life	Approx. 6 hours
Antenna	PIFA Antenna
Audio Inputs	3.5mm TRS Lavalier Microphone Input or Built-in Microphone
Weight	Approx. 34g (1.2oz)
Dimensions	63×43×16.5mm
Operating Temperature	0°C to 50°C
Storage Temperature	-20°C to +55°C

Packing List

Blink500 RX

- 1× Blink500 RX Receiver with Built-In Clip and Camera Shoe-Mount
- 1× 1' (30.5 cm) Gold-Plated 3.5mm TRS to TRS Output Cable for Cameras
- 1× 1' (30.5 cm) Gold-Plated 3.5mm TRS to TRRS Output Cable for Smartphones and Tablets
- 1× 1' (30.5 cm) Gold-Plated USB-C to USB-A Charging Cables
- 1× Pairing Pin
- 1× Warranty Card
- 1× User Manual

Blink500 TX

- 1× Blink500 TX Transmitter with Built-In Microphone and Clip
- 1× SR-M1 Omnidirectional Lavalier Microphone
- 1× Alligator-Style Lavalier Microphone Clip
- 1× Foam Lavalier Windscreen
- 1× 1' (30.5 cm) Gold-Plated USB-C to USB-A Charging Cable
- 1× Pairing Pin
- 1× Warranty Card
- 1× User Manual

Blink500 RXDi

- 1× Blink 500 RXDi Receiver with MFi Certified Apple Lightning Connector
- 1× Pairing Pin
- 1× Warranty Card
- 1× User Manual

Blink500 RXUC

- 1× Blink 500 RXUC Receiver with USB-C Connector
- 1× Pairing Pin
- 1× Warranty Card
- 1× User Manual

Blink500 B1(TX+RX)

- 1× Blink500 RX Receiver with Built-In Clip and Camera Shoe-Mount
- 1× Blink500 TX Transmitter with Built-In Microphone and Clip
- 1× 1' (30.5 cm) Gold-Plated 3.5mm TRS to TRS Output Cable for Cameras
- 1× 1' (30.5 cm) Gold-Plated 3.5mm TRS to TRRS Output Cable for Smartphones and Tablets
- 2× 1' (30.5 cm) Gold-Plated USB-C to USB-A Charging Cables
- 1× SR-M1 Omnidirectional Lavalier Microphone
- 1× Alligator-Style Lavalier Microphone Clip
- 1× Foam Lavalier Windscreen
- 1× Pairing Pin
- 1× Warranty Card
- 1× User Manual

Blink500 B2(TX+TX+RX)

- 1× Blink500 RX Receiver with Built-In Clip and Camera Shoe-Mount
- 2× Blink500 TX Transmitters with Built-In Microphone and Clip
- 1× 1' (30.5 cm) Gold-Plated 3.5mm TRS to TRS Output Cable for Cameras
- 1× 1' (30.5 cm) Gold-Plated 3.5mm TRS to TRRS Output Cable for Smartphones and Tablets
- 3× 1' (30.5 cm) Gold-Plated USB-C to USB-A Charging Cables

- 2× SR-M1 Omnidirectional Lavalier Microphones
- 2× Alligator-Style Lavalier Microphone Clips
- 2× Foam Lavalier Windscreens
- 1× Pairing Pin
- 1× Warranty Card
- 1× User Manual

Blink500 B3(TX+RXDi)

- 1× Blink500 RXDi Receiver with MFi Certified Apple Lightning Connector
- 1× Blink500 TX Transmitter with Built-In Microphone and Clip
- 1× SR-M1 Omnidirectional Lavalier Microphone
- 1× Alligator-Style Lavalier Microphone Clip
- 1× Foam Lavalier Windscreen
- 1× 1' (30.5 cm) Gold-Plated USB-C to USB-A Charging Cable
- 1× Pairing Pin
- 1× Warranty Card
- 1× User Manual

Blink500 B4(TX+TX+RXDi)

- 1× Blink500 RXDi Receiver with MFi Certified Apple Lightning Connector
- 2× Blink500 TX Transmitters with Built-In Microphone and Clip
- 2× SR-M1 Omnidirectional Lavalier Microphones
- 2× Alligator-Style Lavalier Microphone Clips
- 2× Foam Lavalier Windscreens
- 2× 1' (30.5 cm) Gold-Plated USB-C to USB-A Charging Cables
- 1× Pairing Pin
- 1× Warranty Card
- 1× User Manual

Blink500 B5(TX+RXUC)

- 1× Blink500 RXUC Receiver with USB-C Connector
- 1× Blink500 TX Transmitter with Built-In Microphone and Clip
- 1× SR-M1 Omnidirectional Lavalier Microphones
- 1× Alligator-Style Lavalier Microphone Clip
- 1× Foam Lavalier Windscreen
- 1× 1' (30.5 cm) Gold-Plated USB-C to USB-A Charging Cable
- 1× Pairing Pin
- 1× Warranty Card
- 1× User Manual

Blink500 B6(TX+TX+RXUC)

- 1× Blink500 RXUC Receiver with USB-C Connector
- 2× Blink500 TX Transmitters with Built-In Microphone and Clip
- 2× SR-M1 Omnidirectional Lavalier Microphones
- 2× Alligator-Style Lavalier Microphone Clips
- 2× Foam Lavalier Windscreens
- 2× 1' (30.5 cm) Gold-Plated USB-C to USB-A Charging Cables
- 1× Pairing Pin
- 1× Warranty Card
- 1× User Manual

Common Technical Issues and Solutions

If you encounter problems when using the Blink500 system, please refer to the follow checklist before contacting technical support. If the problem cannot be solved, please contact the dealer's after-sales service department.

Problems	Causes	Solutions
The RX/TX cannot be turned on	The battery is very low.	Charge the RX/TX with the supplied charging cable.
The battery become drained quickly	The device is being used under cold or hot conditions.	Recharge or move to less cold or hot environment.
	The transmitter TX is muted.	Adjust the sound by the "+" and "-" buttons.
There is no sound	The transmitter and receiver is not paired.	Pair the system. Refer to the "Operation Guide."
	The audio cable is not fully plugged in.	Re-plug the audio cable.
The sound is weak	The transmitter volume setting is too low.	Adjust the volume, the goal is to transmit the highest level in the entire signal path without distortion to get the highest signal to noise ratio.
	Transmitter/receiver volume setting is not suitable.	Adjust the volume, the goal is to transmit the highest level in the entire signal path without distortion to get the highest signal to noise ratio.
The sound is distorted	Using a mono plug headphone.	Please use the headphone with stereo plug

Problems	Causes	Solutions
There is too much ambient noise is picked up	The Blink500 TX built-in microphone is omnidirectional. The microphone may pick up more ambient sounds.	Please make sure the microphone is as close as possible to the subject being shot.
	Signal is interfered.	<ol style="list-style-type: none"> 1. Adjust the angel of transmitter/receiver. 2. There is more radio frequency interference outdoors. Try to move the recording indoors. 3. Be away from conductive objects such as metal and water. 4. Overhead telephone lines, fluorescent lights, and metal fences may interfere with wireless microphones. 5. Turn off all nearby computers and phones.
There is sound interruption or noise	The RF signal is weak.	<ol style="list-style-type: none"> 1. Make sure that the line of sight between the transmitter and receiver antennas is unobstructed. 2. Your body, clothes, and stage set may be a hindrance. 3. If there are obstacles, you need to shorten the distance between the transmitter and the receiver.
	The input level of the camera, recorder or mixer is too high.	Turn down the audio input level of the camera or recording device. Turn down the gain of mixer.
	The volume of the transmitter is too high.	Lower the volume to the second stage.

简介

Saramonic Blink500 是迷你双通道无线麦克风系统。输送广播级音质，适用于单反、无反相机、摄像机以及其他移动设备。本系统分别有 RX/RXDi/RXUC 三款接收器系列。

RX 是 3.5mm TRS 接收器，配置 TRS 和 TRRS 输出线，用于 3.5mm TRS 和 TRRS 接口设备。

RXDi 为通过 MFi 认证 Lightning 接收器，用于 iOS 系统的 Lightning 接口设备。RXUC 为 Type-C 接收器，用于安卓以及其他 Type-C 接口设备。

背夹式发射器有内置麦克风，能够收录优质的音质效果，轻便小巧的外形可以夹在衣服上使用。您也可以把它当成传统的腰包发射器，搭配套装内提供的 SR-M1 领夹麦使用。

无需专业知识即可操作使用。Blink500 系统所使用的是抗干扰 2.4GHz 频段，遇到干扰情况下能自动跳转频道避免噪音产生以及音频失真。



推荐使用枫笛官方录音软件 SmartRecorder

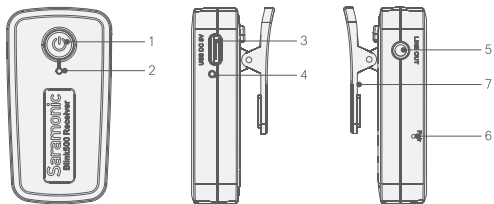
Blink500 的6款组合套装

型号	套装内容
Blink500 B1 (TX+RX)	1 × Blink500 RX 1 × Blink500 TX
Blink500 B2 (TX+TX+RX)	1 × Blink500 RX 2 × Blink500 TX
Blink500 B3 (TX+RXDi)	1 × Blink500 RXDi 1 × Blink500 TX
Blink500 B4 (TX+TX+RXDi)	1 × Blink500 RXDi 2 × Blink500 TX
Blink500 B5 (TX+RXUC)	1 × Blink500 RXUC 1 × Blink500 TX
Blink500 B6 (TX+TX+RXUC)	1 × Blink500 RXUC 2 × Blink500 TX

注意：如果您使用的是安卓手机，请在设置里打开OTG功能。OTG功能通常在设置菜单的“更多设置”中选择。

产品结构

1. Blink500 RX: 背夹式接收器 (可接入相机热靴座)



① 电源键

长按开启/关闭接收器

② 电源/配对键

电源功能:

亮红灯=低电量

配对功能:

蓝灯频闪 (每1秒) = 未配对成功

蓝灯快闪 (每 0.5 秒) = 等待配对

蓝灯常亮 = 配对成功

一旦匹配成功过, 发射器和接收器重复开关机也能自动连接。

③ USB Type-C 充电口

④ 充电指示灯

亮绿灯 = 正在充电

绿灯熄灭 = 已充满电

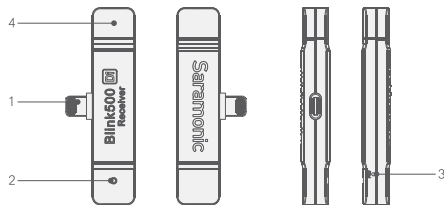
⑤ Line Out

请使用配置的TRS和TRS输出线, 将接收器和单反/无反相机/录像机/手机/平板电脑/混音器/扩音器等设备进行连接。

⑥ 配对顶针孔

⑦ 背夹 (适配冷靴座)

2. Blink500 RXDi: Lightning接收器



① Lightning 接口

② 配对灯

蓝灯频闪 (每1秒) = 未配对成功

蓝灯快闪 (每 0.5 秒) = 等待配对

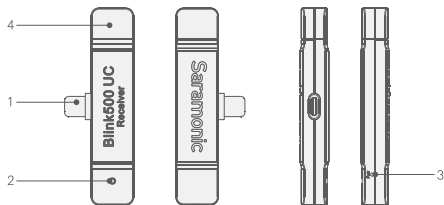
蓝灯常亮 = 配对成功

一旦匹配成功过, 发射器和接收器重复开关机也能自动连接。

③ 配对顶针孔

④ 天线

3. Blink500 RXUC: Type-C 接收器



① USB Type-C 接口

② 配对指示灯

蓝灯频闪 (每1秒) = 未配对成功

蓝灯快闪 (每 0.5 秒) = 等待配对

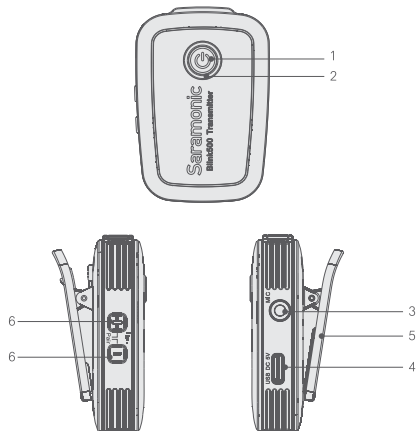
蓝灯常亮 = 配对成功

一旦匹配成功过, 发射器和接收器重复开关机也能自动连接。

③ 配对顶针孔

④ 天线

4. Blink500 TX: 腰包发射器 (内置麦克风)



① 电源键

长按开启/关闭接收器

② 电源/音量键/配对键

电源功能:

亮红灯 = 低电量

充电状态下:

亮绿灯 = 正在充电

绿灯熄灭 = 已充满电

音量功能: 音量设置指示:



按「+」和「-」键调整音量
音量默认值为3档 如果您将音量调至无指示灯时, 发射器麦克风为静音状态。

配对功能:



闪蓝灯 (每隔1秒) 表示未配对成功
慢闪蓝灯 (每隔3秒) 表示配对成功

- ③ 3.5mm 音频输入口
- ④ USB Type-C 充电口
- ⑤ 背夹 (适配标准冷靴座)
- ⑥ 音量控制键/配对键

操作指南

Blink500 B1/B2 套装

1. 长按电源键打开发射器 TX。
2. 长按电源键打开接收器 RX。
发射器和接收器的出厂默认设置是已配对成功, 若无成功连接, 请进行下一步配对操作。
3. 将配对顶针用力推入 RX 的配对孔中, 配对指示灯每 0.5 秒频闪一次。在十秒内, 同时按住发射器的「+」「-」键。
4. 当套装配对成功时, RX 配对指示灯为蓝灯常亮, TX 配对指示灯缓慢闪烁。
注意: 当配对第二个发射器时, 请重复三四两步。
5. 包装配置两条输出线: 分别是 3.5mm TRS 音频输出线和 3.5mm TRRS 音频输出线。
3.5mm TRS 音频输出线用于相机, 摄影机, 录音机和混音器。3.5mm TRRS 音频输出线用于手机和平板电脑等移动设备。
6. 开始你的录音
提示: 接收器输出孔是线性输出。您可将接收器连接到音响系统上。在连接之前, 请勿使用耳机并将音响系统调至静音模式, 以免产生啸叫情况。

Blink500 B3/B4/B5/B6 套装

1. 长按电源键打开发射器
2. 将 RXDi 插入 iOS 系统的 Lightning 设备 /RXUC 插入 Type-C 设备。为获得最佳信号, 请确保天线 (黄边) 位置朝上。
发射器和接收器的出厂默认设置是已配对成功。若无成功连接, 请进行下一步配对操作。

- 将配对顶针用力推入RXDi/RXUC的配对孔中，配对指示灯每0.5秒频闪一次。在十秒内，同时按住发射器的「+」「-」键。
- 当套装配对成功时，RX配对指示灯常亮，TX配对指示灯缓慢闪烁。
注意：当配对第二个发射器时，请重复三四两步。
- 开始录音

详情

Blink500 RXUC	
使用频段	2.4GHz 数字频段
信号调制	高斯频移键控
操作范围	最远至50米（无障碍）
音频输出线	Type-C 接口
电池类型	Type-C 设备供电
内置电池使用时长	约6小时
天线	PIFA 天线
重量	约 10.5g
尺寸	76 × 16.5 × 11mm
操作温度	0°C to 50°C
储存温度	-20°C to +55°C

Blink500 RXDi	
使用频段	2.4GHz 数字频段
信号调制	高斯频移键控
操作范围	最远至50米（无障碍）
音频输出线	MFi 认证Lightning
电池类型	iOS 设备供电
内置电池使用时长	约6小时
天线	PIFA 天线
重量	约 10.5g
尺寸	76 × 16.5 × 11mm
操作温度	0°C to 50°C
储存温度	-20°C to +55°C

Blink500 RX	
使用频段	2.4GHz 数字频段
信号调制	高斯频移键控
操作范围	最远至50米（无障碍）
音频输出接口	3.5mm 接口
音频输出水平	-60dBV to -20dBV
电池类型	内置锂电池，直流电 5V（Type-C 接口）
内置电池使用时长	约6小时
天线	PIFA 天线
重量	26.5g (0.93oz)
尺寸	62 × 33 × 15.5mm
操作温度	0°C to 50°C
储存温度	-20°C to +55°C

Blink500 TX	
使用频段	2.4GHz 数字频段
信号调制	高斯频移键控
操作范围	最远至50米（无障碍）
RF 输出功率	10mW
拾音模式	全向型
频率响应	50Hz-18KHz
最大 SPL	内置麦克风: 120dB SPL 领夹麦: 110dB SPL
灵敏度	内置麦克风: -42dB 领夹麦: -30dB
信噪比	> 78dB
电池要求	内置锂电池，直流电 5V（Type-C 接口）
内置电池使用时长	约6小时
天线	PIFA 天线
音频输入源	3.5mm TRS 领夹麦 内置麦克风输入
重量	34g
尺寸	63 × 43 × 16.5mm
操作温度	0°C to 50°C
储存温度	-20°C to +55°C

包装清单

Blink500 RX

- 1 × Blink500 RX 背夹式接收器（可接入相机热靴座）
- 1 × 30.5cm 镀金 3.5mm TRS 转 TRS 相机输出线
- 1 × 30.5cm 镀金 3.5mm TRS 转 TRRS 手机/平板电脑输出线
- 1 × 30.5cm 镀金 Type-C 转 USB-A 充电线
- 1 × 配对顶针
- 1 × 保修卡
- 1 × 用户手册

Blink500 TX

- 1 × Blink500 TX 背夹式发射器（内置麦克风）
- 1 × SR-M1 全向型领夹麦克风
- 1 × 领夹
- 1 × 领夹麦防风棉
- 1 × 30.5cm 镀金 Type-C 转 USB-A 充电线
- 1 × 保修卡
- 1 × 用户手册

Blink500 RXDi

- 1 × Blink500 RXDi 接收器（MFi 认证的 Lightning 接口）
- 1 × 配对顶针
- 1 × 保修卡
- 1 × 用户手册

Blink500 RXUC

- 1 × Blink 500 RXUC 接收器（Type-C 接口）
- 1 × 配对顶针
- 1 × 保修卡
- 1 × 用户手册

Blink500 B1（TX+RX）

- 1 × Blink500 RX 背夹式接收器（可接入相机热靴座）
- 1 × Blink500 TX 背夹式发射器（内置麦克风）
- 1 × 30.5cm 镀金 3.5mm TRS 转 TRS 相机输出线
- 1 × 30.5cm 镀金 3.5mm TRS 转 TRRS 手机和平板电脑输出线
- 2 × 30.5cm 镀金 Type-C 接口转 USB-A 充电线
- 1 × SR-M1 全向型领夹麦
- 1 × 领夹
- 1 × 领夹麦防风棉
- 1 × 配对顶针
- 1 × 保修卡
- 1 × 用户手册

Blink500 B2（TX+TX+RX）

- 1 × Blink500 RX 背夹式接收器（可接入相机热靴座）
- 2 × Blink500 TX 背夹式发射器（内置麦克风）
- 1 × 30.5cm 镀金 3.5mm TRS 转 TRS 相机输出线
- 1 × 30.5cm 镀金 3.5mm TRS 转 TRRS 手机和平板电脑输出线
- 3 × 30.5cm 镀金 Type-C 接口转 USB-A 充电线
- 2 × SR-M1 全向型领夹麦克风
- 2 × 领夹
- 2 × 领夹麦防风棉
- 1 × 保修卡
- 1 × 用户手册

Blink500 B3 (TX+RXDi)

- 1 × Blink 500 RXDi 接收器 (MFi 苹果认证 Lightning 接口)
- 1 × Blink500 TX 发射器 (内置麦克风)
- 1 × 30.5cm 镀金 Type-C 转 USB-A 充电线
- 1 × SR-M1 全向型领夹麦
- 1 × 领夹
- 1 × 领夹麦防风棉
- 1 × 配对顶针
- 1 × 保修卡
- 1 × 用户手册

Blink500 B4 (TX+TX+RXDi)

- 1 × Blink 500 RXDi 接收器 (MFi 苹果认证 lightning 接口)
- 2 × Blink500 TX 背夹式发射器 (内置麦克风)
- 2 × SR-M1 全向型领夹麦
- 2 × 领夹
- 2 × 领夹麦防风棉
- 2 × 30.5cm 镀金 Type-C 接口转 USB-A 充电线
- 1 × 配对顶针
- 1 × 保修卡
- 1 × 用户手册

Blink500 B5 (TX+RXUC)

- 1 × Blink 500 RXUC 接收器 (Type-C 接口)
- 1 × Blink500 TX 背夹式发射器 (内置麦克风)
- 1 × SR-M1 全向型领夹麦
- 1 × 领夹
- 1 × 领夹麦防风棉
- 1 × 30.5cm 镀金 Type-C 接口转 USB-A 充电线
- 1 × 配对顶针
- 1 × 保修卡
- 1 × 用户手册

Blink500 B6 (TX+TX+RXUC)

- 1 × Blink 500 RXUC 接收器 (Type-C 接口)
- 2 × Blink500 TX 背夹式发射器 (内置麦克风)
- 2 × SR-M1全向型领夹麦
- 2 × 领夹
- 2 × 领夹麦防风棉
- 2 × 30.5cm 镀金 Type-C 接口转 USB-A 充电线
- 1 × 配对顶针
- 1 × 保修卡
- 1 × 用户手册

常见问题和解决方案

如果你在使用 Blink500 时遇到问题，请参照以下清单。如果问题仍无法解决，请联系经销商或我司售后人员。

问题	原因	解决方案
接收器或发射器未打开	电量低	使用配置的充电线对设备进行充电
电池耗电快	设备使用环境处于极热或极冷状态	充电或将使用环境移至普通环境下
设备没有声音	发射器调成静音	「+」、「-」调节音量大小
	发射器和接收器未配对成功	按照操作手册进行配对
	音频线松脱	重新接好音频线
声音微弱	发射器音量太小	调节音量，在不失真的情况下传输整个信号路径的最高电平，从而获得最高的信噪比
声音失真	发射器或接收器设置不正确	调节音量，在不失真的情况下传输整个信号路径的最高电平，从而获得最高的信噪比
	使用带单声道插头的麦克风	请使用带立体声插头的麦克风

问题	原因	解决方案
拾取太多环境音	Blink500 TX内置麦克风是全向型的。因此，麦克风会拾取很多环境音。	请尽可能近地对准拾音主体
	信号被干扰	<ol style="list-style-type: none">1. 调整发射器/接收器的角度2. 室外有很多音频干扰。请移步至室内录制。3. 远离具有传导性的物体（如金属或水）4. 高空的电话线、荧光灯、金属杆都可能干扰无线麦克风系统。5. 关闭附近所有的电脑和手机
存在声音干扰和噪音	RF 信号弱	<ol style="list-style-type: none">1. 确保接收器和发射器的信号传输线路没被干扰2. 身体和衣服皆有可能阻碍信号3. 遇到障碍需缩短发射器和接收器的距离
	相机、录音机、混音器输入电平过高	降低相机或录音设备的音频输入电平。降低混音器的增益。
	发射器声音太高	将声音降到2档

EU Declaration of Conformity

- RoHS Directive (2011/65/EU)

Hereby, Shenzhen Jiayz Photo Industrial.,Ltd declares that the radio equipment model Blink500 system is in compliance with Directive 2014/53/EU.

The full text of the EU declaration of conformity could be downloaded via below link:

www.saramonic.com/product/blink500-b1txrx/



Please follow our WeChat account for more details.

扫描二维码关注枫笛Saramonic微信公众号。

www.saramonic.com

Saramonic is a trademark registered and owned by Shenzhen DSQN Investment CO., LTD.
COPYRIGHT 2011-2021 SARAMONIC INTERNATIONAL (A brand of DSQN)
Room 2009, Shenzhou Bairuida Bldg, Banxuegang Road, Bantian Street, Longgang District,
Shenzhen, China 518129 Tel: 400-613-1096 Email: info@saramonic.com

深圳市大盛青牛投资有限公司

广东省深圳市龙岗区坂雪岗大道百瑞达大厦A栋2009室

全国服务热线: 400-613-1096

中国制造 Made in China