

# Saramonic

Sound.Remarkable. 

## Large Diaphragm Condenser Microphone

大振膜电容式麦克风

### SR-BV4

User Manual  
用户手册



## Statement

Thank you for choosing Saramonic!

Please read this manual carefully before using and strictly operate and store in accordance with the instructions. Please save it for future reference.

If the user manual can not help you to solve problems, please ask your retailer for further assistant or email us: [info@saramonic.com](mailto:info@saramonic.com).

## Cautions

1. Do not use the unit under water, don't expose it to rain. Please store it in a cool, dry place.
2. Please use and store it in normal temperature. Do not move it from overheated to super-cooled condition frequently as well as keep away from heat sources such as heater, oven, or other devices that produce heat.
3. When using and storing, please pay attention to dust and moisture.
4. Be careful to violent collision.

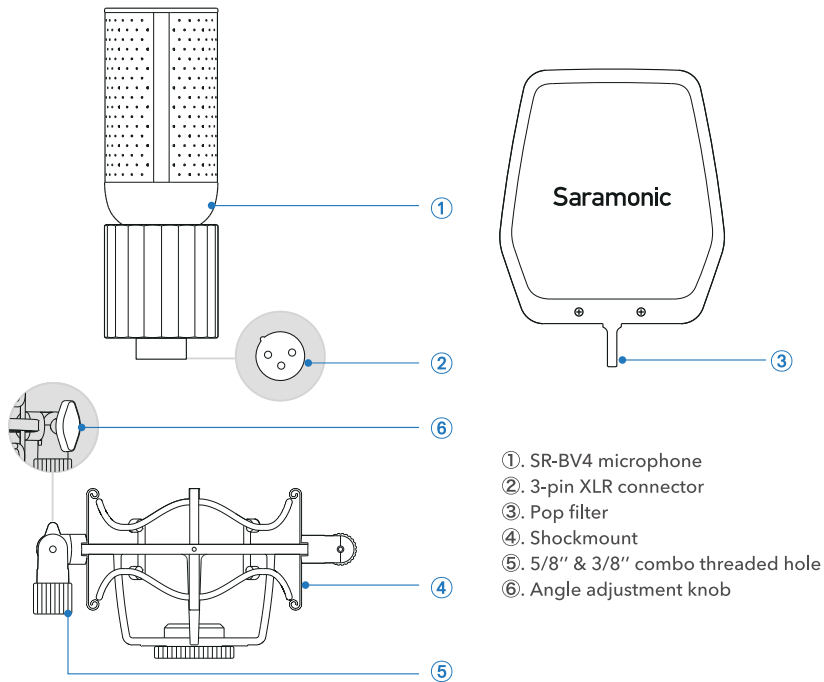
## Introduction

Saramonic SR-BV4 is a large-diaphragm condenser microphone with a smooth, flat, wide-range frequency response. It features a 34mm diaphragm and supercardioid polar pattern, delivering exceptional and professional quality sound. The SR-BV4 is ideal for a wide range of recording applications including vocal, electric instruments and percussion recording, as well as professional studio use.

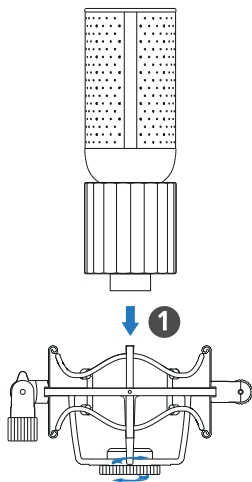
## Feature

- High-quality studio condenser microphone
- 34mm large diaphragm
- Supercardioid polar pattern
- Deliver exceptional and professional quality sound
- Gold-plated XLR connector
- Rugged metal construction
- Powered by 48V phantom power
- Shockmount, pop filter included

## Product Structure

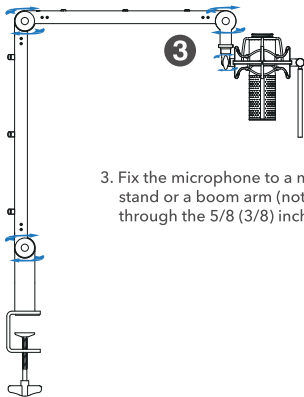
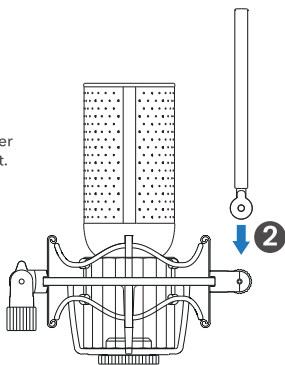


## Operation Guide

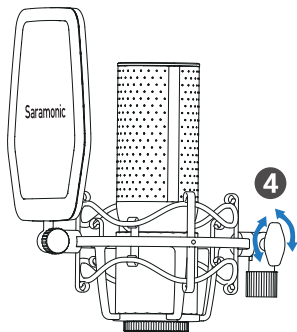


1. Mount the microphone onto the shockmount.

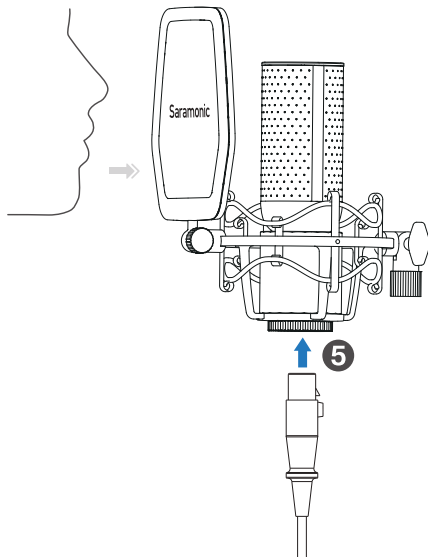
2. Attach the pop filter to the shockmount.



3. Fix the microphone to a microphone stand or a boom arm (not included) through the 5/8 (3/8) inch threaded hole.



4. Unscrew the knob, then adjust the microphone at your desired angle and tighten the knob.



5. Connect the microphone to an external unit with an XLR cable (not included).

**Note:** the SR-BV4 should be powered by 48V phantom power.

6. You are ready to record.

**Note:** The “Saramonic” logo on the face of the SR-BV4 indicates the front of the microphone and the pickup area of the capsule. The “Saramonic” logo should always be facing towards the sound source that you wish to record.

## Packing List

SR-BV4 Microphone×1

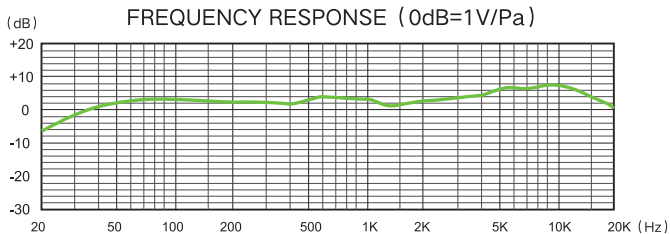
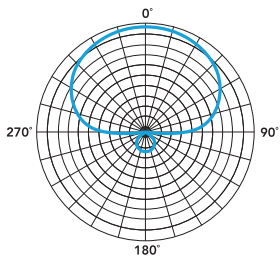
Pop Filter×1

Shockmount×1

## Specifications

Frequency Response	20-20,000 Hz
Sensitivity	-34dB ±3dB (0dB=1V/Pa @ 1KHz)
Signal to Noise Ratio	80dB
Power Requirement	48V Phantom Power
Output Impedance	200Ω
Polar Pattern	Supercardioid
Dimensions	52×52×165mm
Weight	373g

## Polar Pattern



## 声明

### 感谢您选择枫笛！

请在使用前仔细阅读本手册，并严格按照说明进行操作和存储。请妥善保存好说明书以供将来参考。如果用户手册不能帮助您解决某些问题，请向零售商寻求帮助或给我们发送电子邮件：[info@saramonic.com](mailto:info@saramonic.com)。

## 注意事项

1. 不要在水下使用本机，不要将其暴露在雨中。请存放在阴凉干燥处。
2. 请在常温下使用并保存。不要频繁地将其从过热状态移至过冷状态，并远离热源，如加热器、烤箱或其他产生热量的设备。
3. 在使用和储存时，请注意防尘和防潮。
4. 小心避免猛烈的碰撞。

## 简介

枫笛SR-BV4是一款大振膜电容式麦克风，精准捕捉各个频段的声音，录制丰富细腻的声音。麦克风选用高品质的超心型指向咪头，音质饱满柔和。SR-BV4麦克风非常适用于人声录制、乐器录制、打击乐、录音棚等各种原声录制场景使用。

## 特点

高品质录音室电容麦克风

34mm大振膜拾音咪头

超心型指向性

提供出色的专业级音质

镀金三芯卡侬接口

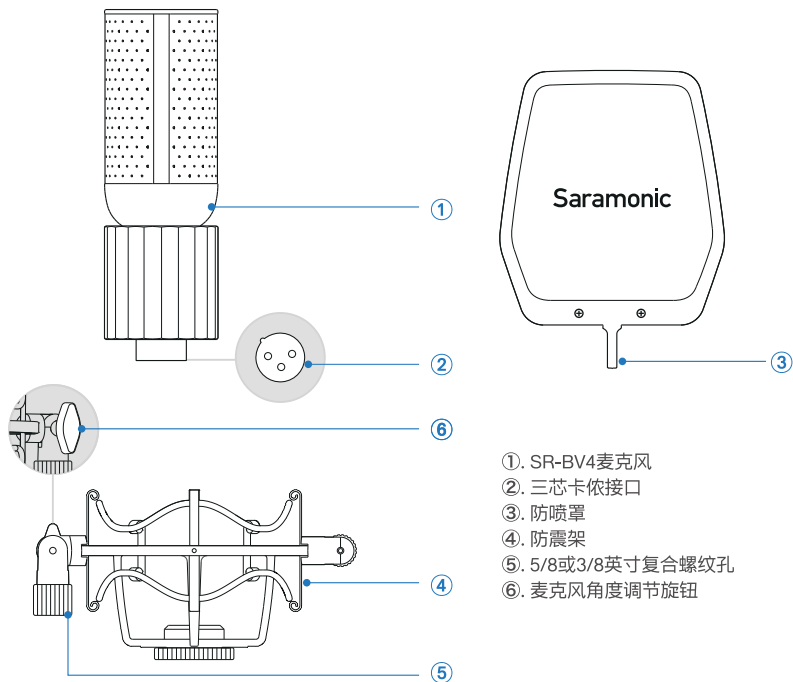
金属结构，坚固耐用

由48V幻象电源供电

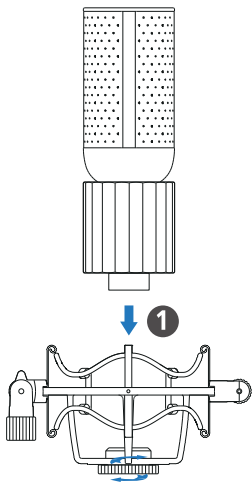
包含防震架及防喷罩



## 产品结构

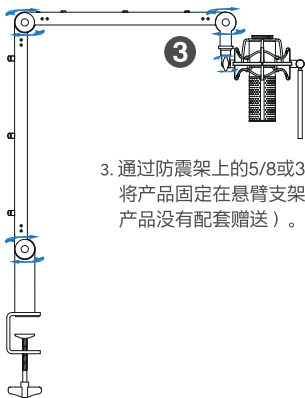
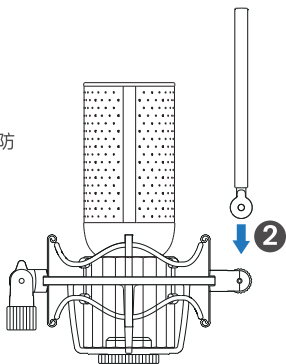


## 操作指南

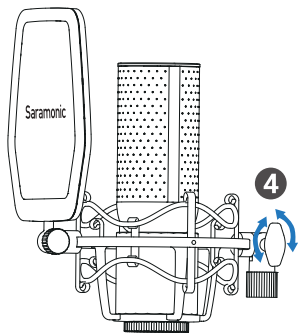


1. 将麦克风安装在防震架上。

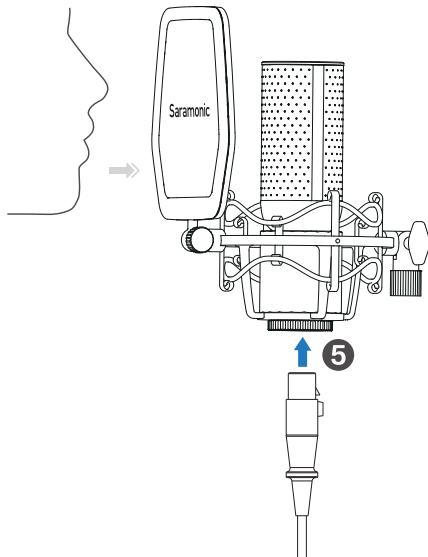
2. 将防喷罩固定在防震架上。



3. 通过防震架上的5/8或3/8英寸螺纹孔将产品固定在悬臂支架上（悬臂支架产品没有配套赠送）。



4. 松开旋钮，将麦克风调整到所需的角度，然后拧紧旋钮。



5. 使用XLR卡侬线（不标配）将麦克风连接至外部设备。

**注意：**SR-BV4需48V幻象电源供电。

6. 开始录制音频。

**注意：**Saramonic标识正对着麦克风前方（咪头拾音区域），录音时，Saramonic标识应始终面向您要录制的声源。

## 包装清单

SR-BV4麦克风 × 1

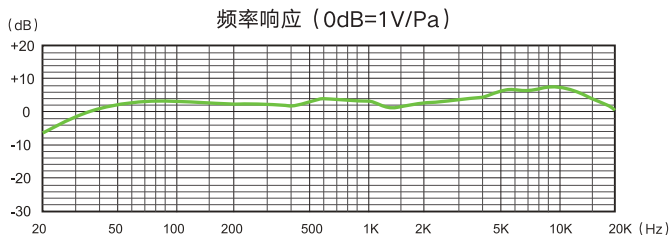
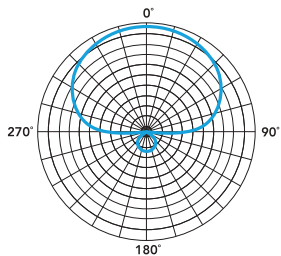
防喷罩 × 1

防震架 × 1

## 参数

频率响应	20 – 20,000 Hz
灵敏度	-34dB ± 3dB (0dB=1V/Pa @ 1KHz)
信噪比	80dB
电源类型	48V幻象电源供电
输出电阻	200 Ω
指向性	超心型模式
尺寸	52 × 52 × 165mm
重量	373g

## 极性模式





Scan the QR code and follow us!  
扫描微信关注枫笛公众号!

---

**Shenzhen Jiayz Photo Industrial., Ltd**  
深圳市长丰影像器材有限公司

A16 Building, Intelligent Terminal Industrial Park of Silicon Valley  
Power, Guanlan, Longhua District, Shenzhen, China  
深圳市龙华区观澜街道大富工业区硅谷动力智能终端产业园 A16 栋

☎ 400-613-1096

🌐 [www.saramonic.com](http://www.saramonic.com)

✉ [info@saramonic.com](mailto:info@saramonic.com)

# JIAYZ长丰 | 深圳市长丰影像器材有限公司

产品/零件名称	SR-BV4说明书	比例	1:1	版本	V00
工程图号	SR-BV4说明书	物料描述	105g铜版纸过油 骑马钉 P16		
物料编号	1F0300400182	尺寸/用量	120×120mm		
是否需要承认书	是	正负公差			
制图人/日期	杨帆/2021.06.21				

受控文件

2021-7-15

长丰影像

修改名称	版本	变更内容	变更日期	变更担当
	V00	首次发行	2020.6.21	杨帆